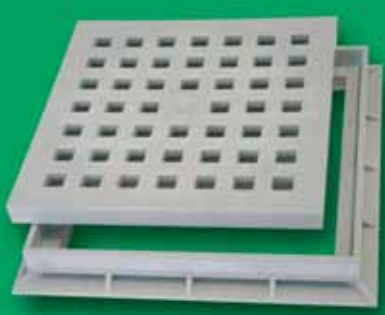
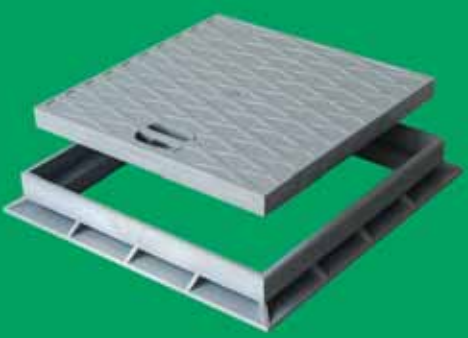




# EUROPLAST Covers and grills



# COVERS AND GRILLS



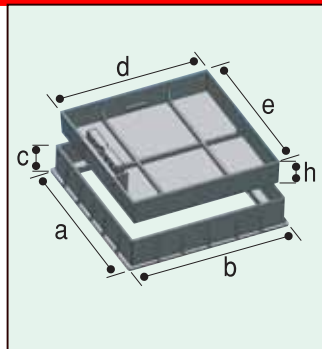
formwork with handle and frame



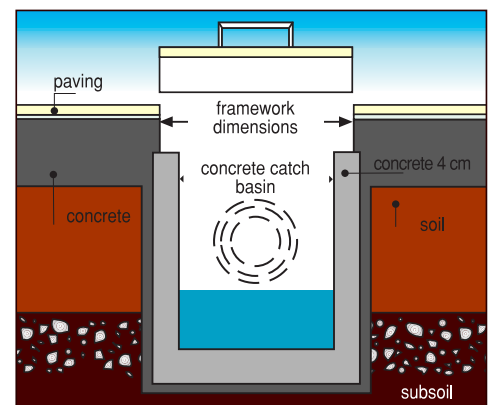
NOTES	CONCRETE CATCH BASIN DIM	DIM.	PACK**	EURO	REF.
h: 50 mm	300 x 300	350 x 350	1		<b>04964</b>
h: 50 mm	400 x 400	450 x 450	1		<b>04965</b>
h: 50 mm	500 x 500	550 x 550	1		<b>04966</b>
h: 85 mm	300 x 300	350 x 350	1		<b>04941</b>
h: 85 mm	400 x 400	450 x 450	1		<b>04942</b>
h: 85 mm	500 x 500	550 x 550	1		<b>04943</b>

\*\* Supplied with sticky label to protect the handle during filling.

## TECHNICAL SPECIFICATIONS



a	b	c	d	e	ref.	weight
370	370	70	350	350	<b>04964</b>	2,5 kg
470	470	70	450	450	<b>04965</b>	3,5 kg
570	570	70	550	550	<b>04966</b>	4,8 kg
370	370	105	350	350	<b>04941</b>	-
		under construction			<b>04942</b>	-
		under construction			<b>04943</b>	-



APPLICATION



Manageable and practical



Handle tested to resist  
(certified traction resistance of 220 kg)\*



Iron mesh can be placed inside



Resistant to acids  
and atmospheric agents



Certified load resistance  
(more than 203 kn = 20,3 t)\*



Handle easily extractable

\* Tests have been carried out by Istituto Giordano. Data and specifications are available on request.

MATERIAL PVC - GREY RAL 7035

# COVERS AND GRILLS



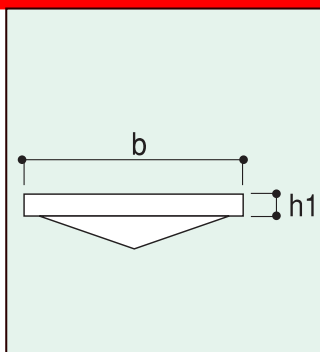
## formwork

DIM.	PACK*	EURO	REF.
200 x 200	10		<b>04980</b>
300 x 300	5		<b>04981</b>
400 x 400	2		<b>04982</b>

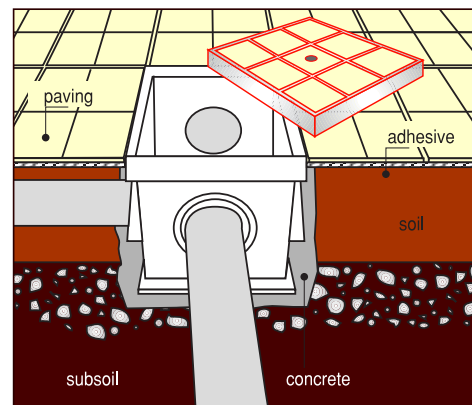
\* Supplied with central screw fix.



### TECHNICAL SPECIFICATIONS



b	h1	ref.
187	20	<b>04980</b>
284	20	<b>04981</b>
383	25	<b>04982</b>

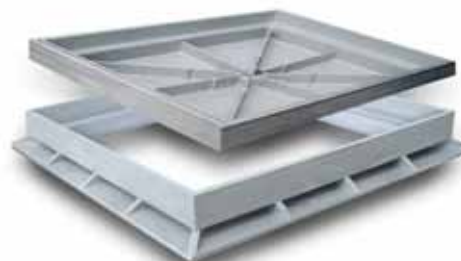


APPLICATION

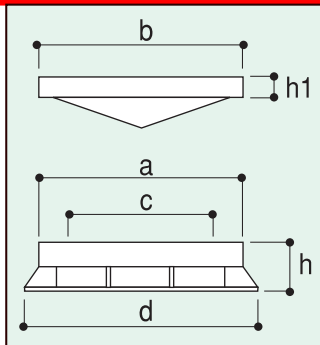
## formwork with frame

DIM. a	PACK*	EURO	REF.
200 x 200	10		<b>04983</b>
300 x 300	5		<b>04984</b>
400 x 400	2		<b>04985</b>

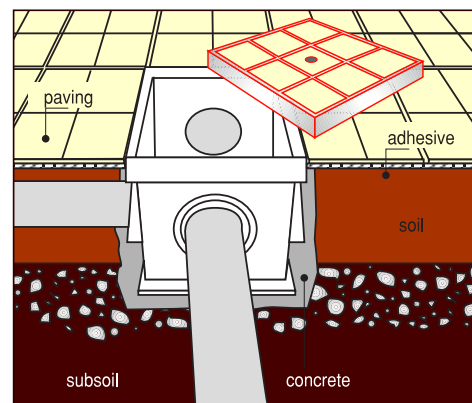
\* Supplied with central screw fix.



### TECHNICAL SPECIFICATIONS



b	h1	c	h	d	ref.
187	20	160	40	209	<b>04983</b>
284	20	250	42	328	<b>04984</b>
383	25	350	45	428	<b>04985</b>



APPLICATION

MATERIAL PP - GREY 7035

# COVERS AND GRILLS

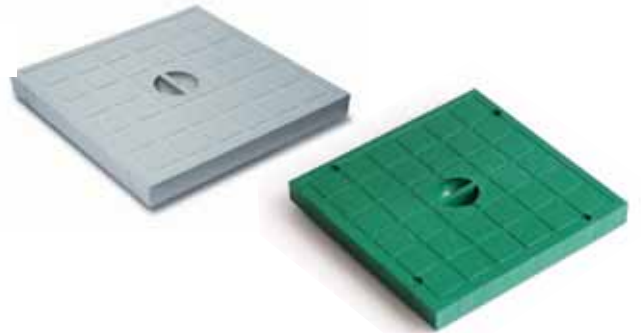


## pedestrian cover

GREY GREEN

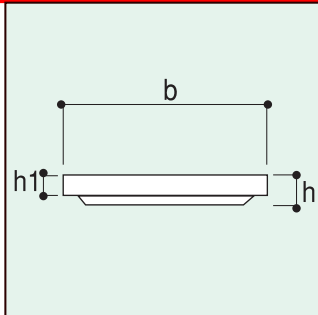
DIM.	PACK	EURO	REF.	EURO	REF.
200 x 200	10		<b>04728</b>		<b>05917</b>
300 x 300	5		<b>04729</b>		<b>05918</b>
350 x 350	5		-		<b>02570</b>
400 x 400	2		<b>04730</b>		<b>05919</b>
450 x 450	2		<b>05925</b>		<b>02083</b>
550 x 550	1		<b>04896</b>		<b>04895</b>

Sand colour available on request.

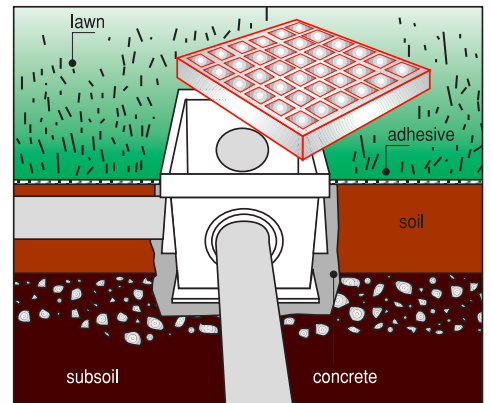


### TECHNICAL SPECIFICATIONS

grey green



hl	b	h	ref.	ref.
20	187	25	<b>04728</b>	<b>05917</b>
22	284	30	<b>04729</b>	<b>05918</b>
22	331	45	-	<b>02570</b>
25	383	35	<b>04730</b>	<b>05919</b>
25	432	40	<b>05925</b>	<b>02083</b>
34	539	45	<b>04896</b>	<b>04895</b>



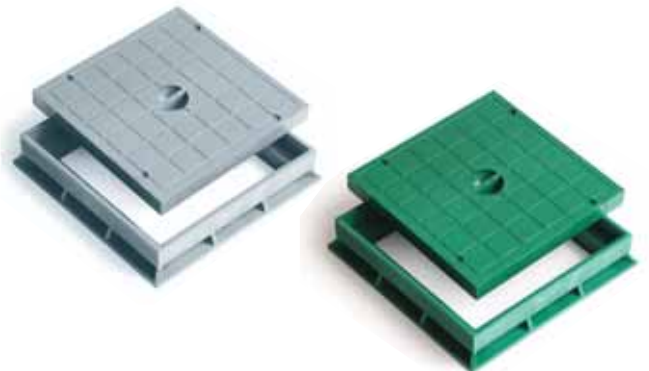
APPLICATION

## pedestrian cover with frame

GREY GREEN

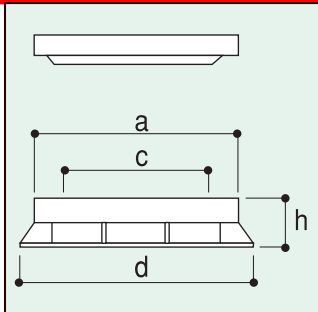
DIM.	PACK	EURO	REF.	EURO	REF.
200 x 200	10		<b>04734</b>		<b>05920</b>
300 x 300	5		<b>04735</b>		<b>05921</b>
350 x 350	5		-		<b>02612</b>
400 x 400	2		<b>04736</b>		<b>05922</b>
450 x 450	2		<b>05926</b>		<b>02129</b>
550 x 550	1		<b>04902</b>		<b>04514</b>

Sand colour available on request.

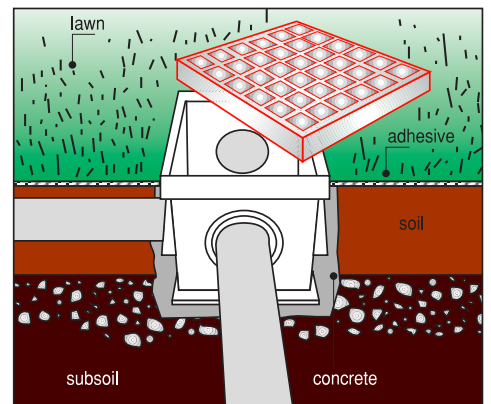


### TECHNICAL SPECIFICATIONS

grey green



a	c	h	d	ref.	ref.
187	160	40	209	<b>04734</b>	<b>05920</b>
284	250	42	328	<b>04735</b>	<b>05921</b>
331	300	42	352	-	<b>02612</b>
383	350	45	428	<b>04736</b>	<b>05922</b>
432	400	45	448	<b>05926</b>	<b>02129</b>
539	500	55	583	<b>04902</b>	<b>04514</b>



APPLICATION

MATERIAL PVC - GREY RAL 7035

# COVERS AND GRILLS

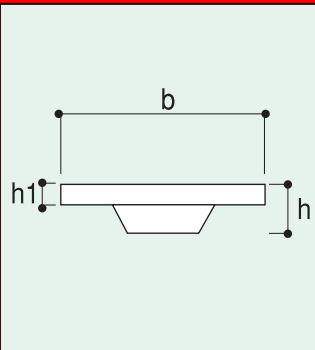


## pedestrian cover with siphon and frame

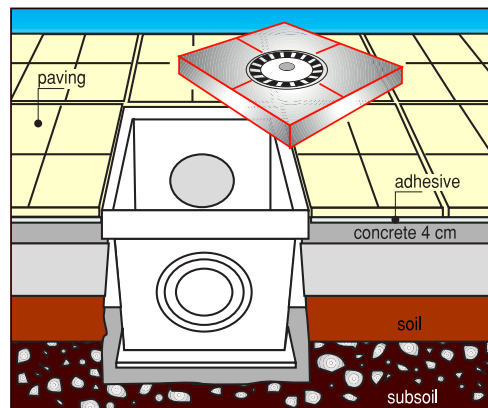
DIM.	PACK	EURO	REF.
300 x 300	2		<b>04994</b>
400 x 400	2		<b>04995</b>



### TECHNICAL SPECIFICATIONS



hl	b	h	ref.
20	280	60	<b>04994</b>
25	380	83	<b>04995</b>



APPLICATION

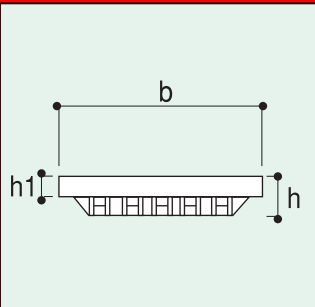
## pedestrian cover with handle

DIM.	PACK	EURO	REF.	GREY	GREEN
				EURO	REF.
300 x 300	5		<b>04873</b>		<b>05369</b>
400 x 400	2		<b>04874</b>		<b>05375</b>
550 x 550	1		<b>04875</b>		<b>06169</b>

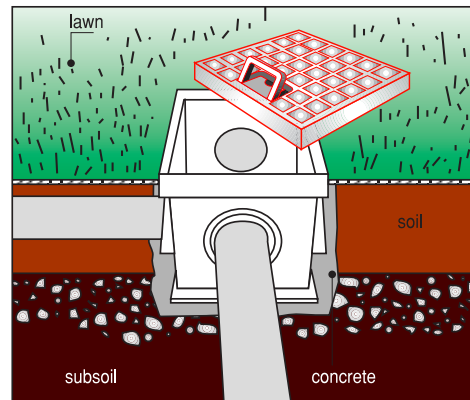


Sand colour available on request.

### TECHNICAL SPECIFICATIONS



hl	b	h	ref.	ref.
22	284	30	<b>04873</b>	<b>05369</b>
25	383	35	<b>04874</b>	<b>05375</b>
34	539	45	<b>04875</b>	<b>06169</b>



APPLICATION

MATERIAL PVC - GREY RAL 7035/GREEN

# COVERS AND GRILLS



pedestrian cover with handle and frame

GREY GREEN

DIM.	PACK	EURO	REF.	EURO	REF.
300 x 300	5		<b>04876</b>		<b>05370</b>
400 x 400	2		<b>04877</b>		<b>05376</b>
550 x 550	1		<b>04878</b>		<b>06170</b>

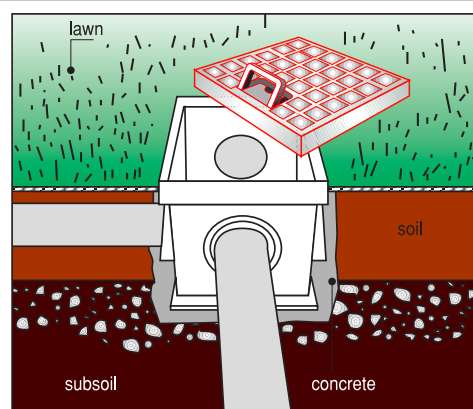
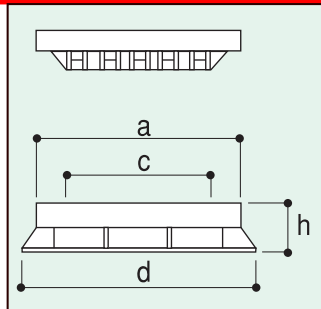
Sand colour available on request.



## TECHNICAL SPECIFICATIONS

grey green

a	c	h	d	ref.	ref.
284	250	42	328	<b>05370</b>	<b>05370</b>
383	350	45	428	<b>05376</b>	<b>05376</b>
539	500	55	583	<b>06170</b>	<b>06170</b>



APPLICATION



**PAT. PENDING**

AVAILABLE IN DIMENSIONS: 300 x 300 - 400 x 400 - 550 x 550

MATERIAL PVC - GREY RAL 7035/GREEN

# COVERS AND GRILLS



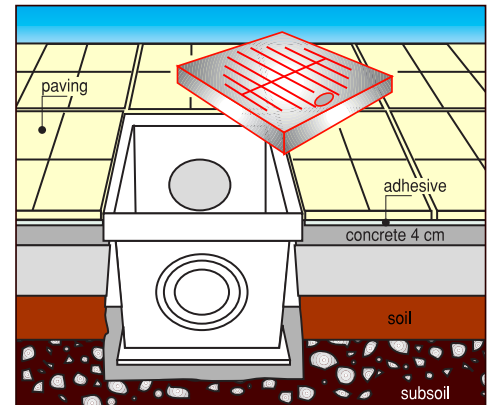
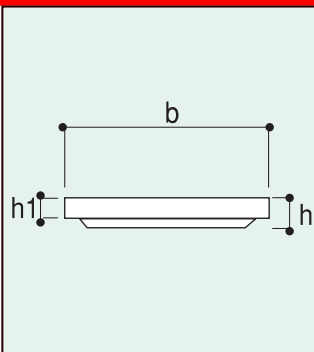
pedestrian cover with anti-slip  
bi-injected surface

DIM.	PACK	EURO	REF.
300 x 300	5		<b>04925</b>
400 x 400	2		<b>04926</b>



## TECHNICAL SPECIFICATIONS

hl	b	h	ref.
22	284	30	<b>04925</b>
25	383	35	<b>04926</b>



APPLICATION

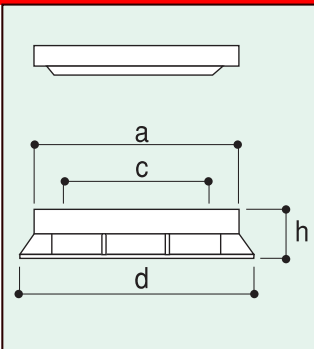
pedestrian cover with anti-slip  
bi-injected surface and frame

DIM.	PACK	EURO	REF.
300 x 300	5		<b>04939</b>
400 x 400	2		<b>04940</b>



## TECHNICAL SPECIFICATIONS

a	c	h	d	ref.
284	250	42	328	<b>04939</b>
383	350	45	428	<b>04940</b>



APPLICATION

MATERIAL PVC - GREY 7035

# COVERS AND GRILLS



## pedestrian grill

GREY GREEN

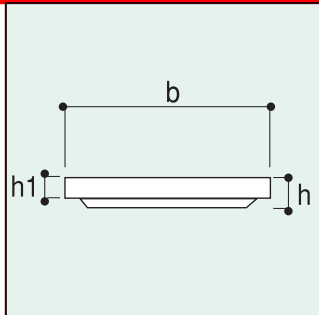
FLOW RATE (l/s)	DIM.	PACK	EURO	REF.	EURO	REF.
1,7	200 x 200	10		<b>04725</b>		<b>04457</b>
2,8	300 x 300	5		<b>04726</b>		<b>00914</b>
3,3	350 x 350	5		-		<b>00832</b>
3,8	400 x 400	2		<b>04727</b>		<b>04488</b>
4,1	450 x 450	2		<b>05994</b>		<b>03534</b>
4,6	550 x 550	1		<b>04893</b>		<b>03262</b>

Sand colour available on request.

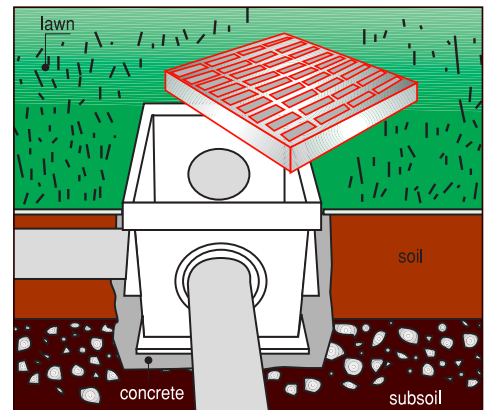


### TECHNICAL SPECIFICATIONS

grey green



hl	b	h	ref.	ref.
20	187	25	<b>04725</b>	<b>04457</b>
22	284	30	<b>04726</b>	<b>00914</b>
22	331	45	-	<b>00832</b>
25	383	35	<b>04727</b>	<b>04488</b>
25	432	40	<b>05994</b>	<b>03534</b>
34	539	45	<b>04893</b>	<b>03262</b>



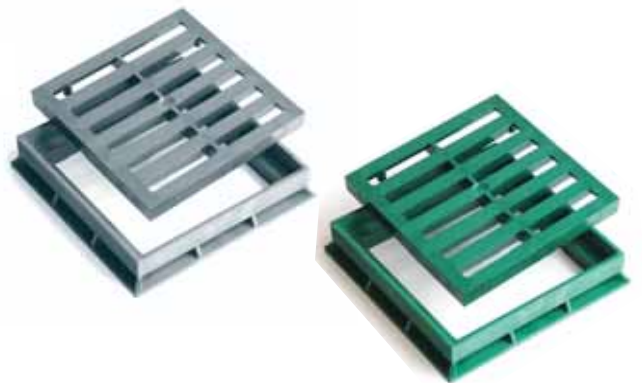
APPLICATION

## pedestrian grill with frame

GREY GREEN

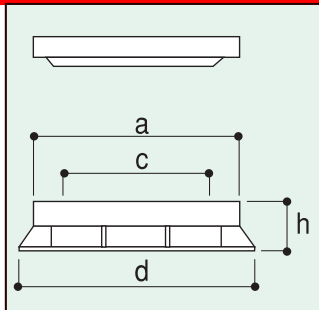
FLOW RATE (l/s)	DIM.	PACK	EURO	REF.	EURO	REF.
1,7	200 x 200	10		<b>04731</b>		<b>04461</b>
2,8	300 x 300	5		<b>04732</b>		<b>04459</b>
3,3	350 x 350	5		-		<b>00828</b>
3,8	400 x 400	2		<b>04733</b>		<b>04490</b>
4,1	450 x 450	2		<b>05995</b>		<b>03539</b>
4,6	550 x 550	1		<b>04899</b>		<b>03264</b>

Sand colour available on request.

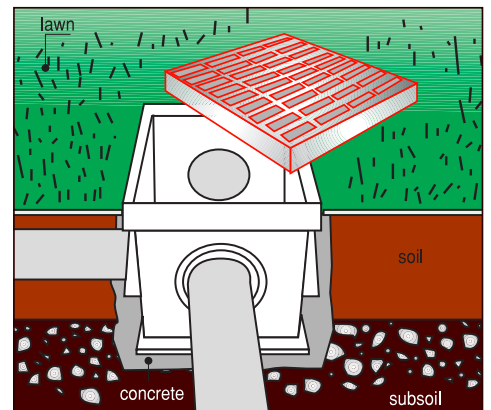


### TECHNICAL SPECIFICATIONS

grey green



a	c	h	d	ref.	ref.
187	160	40	209	<b>04461</b>	<b>04461</b>
284	250	42	328	<b>04459</b>	<b>04459</b>
331	300	42	352	-	<b>00828</b>
383	350	45	428	<b>04490</b>	<b>04490</b>
432	400	45	448	<b>03539</b>	<b>03539</b>
539	500	55	583	<b>03264</b>	<b>03264</b>



APPLICATION

MATERIAL PVC - GREY RAL 7035/GREEN



# COVERS AND GRILLS



frame

GREY GREEN

DIM.	PACK	EURO	REF.	EURO	REF.
200 x 200	10		<b>01958</b>		<b>05914</b>
300 x 300	5		<b>01938</b>		<b>05915</b>
350 x 350	5		<b>01940</b>		<b>01195</b>
400 x 400	2		<b>01942</b>		<b>05916</b>
450 x 450	2		<b>01944</b>		<b>02088</b>
550 x 550	1		<b>04933*</b>		<b>03261*</b>

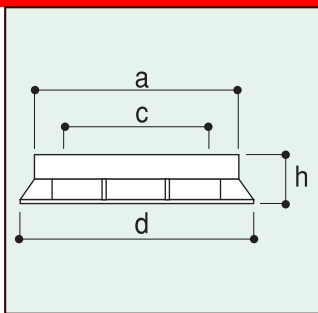


Sand colour available on request.

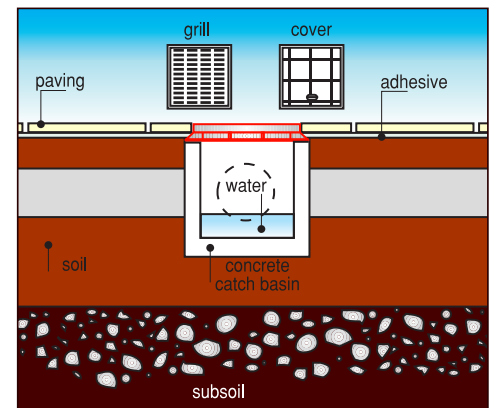
\* Made of PP.

## TECHNICAL SPECIFICATIONS

grey green



a	c	h	d	ref.	ref.
187	160	40	209	<b>01958</b>	<b>05914</b>
284	250	42	328	<b>01938</b>	<b>05915</b>
331	300	42	352	<b>01940</b>	<b>01195</b>
383	350	45	428	<b>01942</b>	<b>05916</b>
432	400	45	448	<b>01944</b>	<b>02088</b>
539	500	55	583	<b>04933</b>	<b>03261</b>



APPLICATION

MATERIAL PVC - GREY 7035/GREEN

# COVERS AND GRILLS



**TESTED BY**



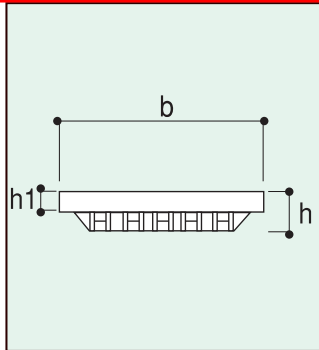
light traffic cover

LOAD RESISTANCE (KN)	DIM.	PACK	EURO	REF.
57,2	200 x 200	10		<b>01759</b>
35,0	300 x 300	5		<b>01924</b>
94,3	350 x 350	5		<b>01799</b>
31,3	400 x 400	2		<b>01948</b>
110,5	450 x 450	2		<b>01950</b>
56,3	550 x 550	1		<b>04782</b>

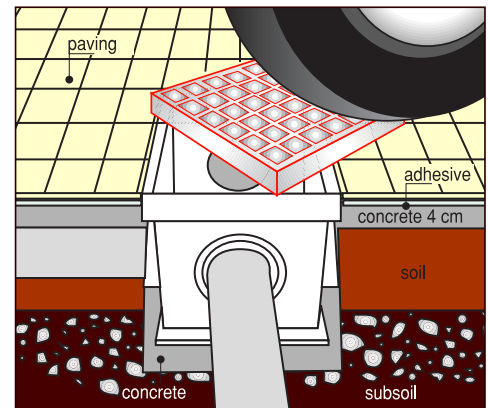
Sand colour available on request.



## TECHNICAL SPECIFICATIONS



h1	b	h	ref.
20	187	35	<b>01759</b>
20	284	45	<b>01924</b>
22	331	45	<b>01799</b>
25	383	55	<b>01948</b>
25	432	55	<b>01950</b>
34	539	65	<b>04782</b>



**APPLICATION**

**TESTED BY**

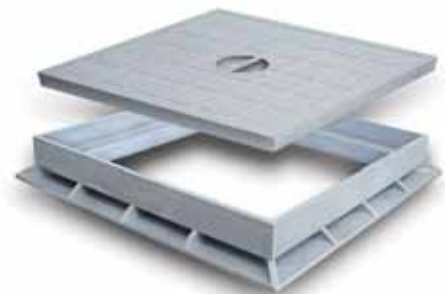


light traffic cover with frame

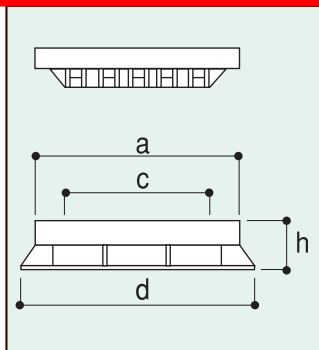
LOAD RESISTANCE (KN)	DIM.	PACK	EURO	REF.
57,2	200 x 200	10		<b>02640</b>
35,0	300 x 300	5		<b>01930</b>
94,3	* 350 x 350	5		<b>01931</b>
31,3	400 x 400	2		<b>01933</b>
110,5	* 450 x 450	2		<b>01935</b>
56,3	* 550 x 550	1		<b>04862</b>
56,3	** 550 x 550	1		<b>04737</b>

\* To be placed on the top of concrete catch basin - \*\* Frame made of galvanized steel.

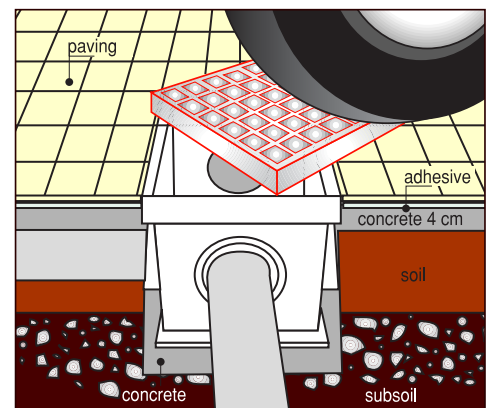
Sand colour available on request.



## TECHNICAL SPECIFICATIONS



a	c	h	d	ref.
187	160	40	209	<b>02640</b>
284	250	42	328	<b>01930</b>
331	300	42	352	<b>01931</b>
383	350	45	428	<b>01933</b>
432	400	45	448	<b>01935</b>
539	500	55	583	<b>04862</b>
539	500	55	583	<b>04737</b>



**APPLICATION**

MATERIAL PVC - GREY RAL 7035

# COVERS AND GRILLS



**TESTED BY**



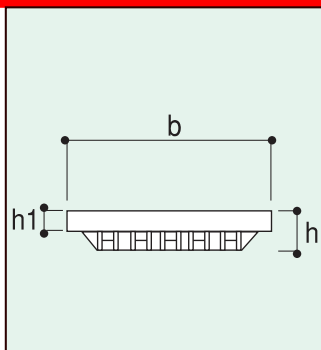
light traffic grill

FLOW RATE (l/s)	LOAD RESISTANCE (kn)	DIM.	PACK	EURO	REF.
1,7	49,7	200 x 200	10		<b>01769</b>
2,8	53,7	300 x 300	5		<b>01923</b>
3,3	84,7	350 x 350	5		<b>03369</b>
3,8	32,2	400 x 400	2		<b>02022</b>
4,1	63,0	450 x 450	2		<b>01952</b>
4,6	88,7	550 x 550	1		<b>04781</b>

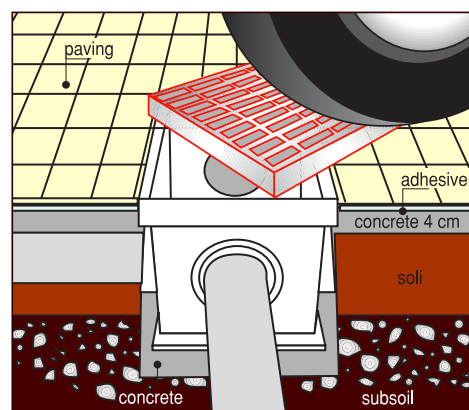
Sand colour available on request.



## TECHNICAL SPECIFICATIONS



hl	b	h	ref.
20	187	35	<b>01769</b>
22	284	45	<b>01923</b>
22	331	45	<b>03369</b>
25	383	55	<b>02022</b>
25	432	55	<b>01952</b>
34	539	65	<b>04781</b>



**APPLICATION**

**TESTED BY**



light traffic grill with frame

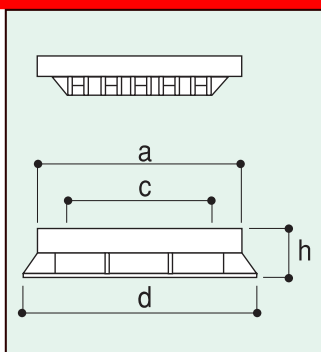
FLOW RATE (l/s)	LOAD RESISTANCE (kn)	DIM.	PACK	EURO	REF.
1,7	49,7	200 x 200	10		<b>02017</b>
2,8	53,7	300 x 300	5		<b>01980</b>
3,3	84,7	* 350 x 350	5		<b>02639</b>
3,8	32,2	400 x 400	2		<b>01981</b>
4,1	63,0	* 450 x 450	2		<b>03370</b>
4,6	88,7	* 550 x 550	1		<b>04861</b>
4,6	88,7	** 550 x 550	1		<b>04738</b>

\* To be placed on the top of concrete catch basin - \*\* Frame made of galvanized steel.

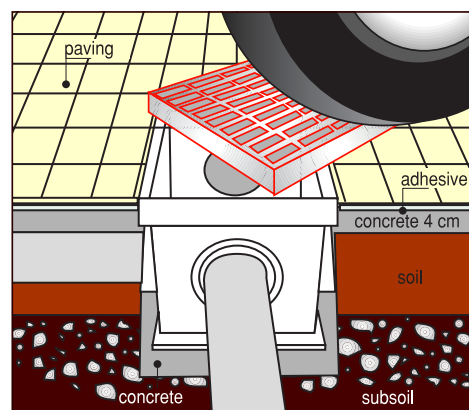
Sand colour available on request.



## TECHNICAL SPECIFICATIONS



a	c	h	d	ref.
187	160	40	209	<b>02017</b>
284	250	42	328	<b>01980</b>
331	300	42	352	<b>02639</b>
383	350	45	428	<b>01981</b>
432	400	45	448	<b>03370</b>
539	500	55	583	<b>04861</b>
539	500	55	583	<b>04738</b>



**APPLICATION**

MATERIAL PVC - GREY 7035

# COVERS AND GRILLS



In accordance with regulation EN 124 - **TESTED BY**



## cover B125

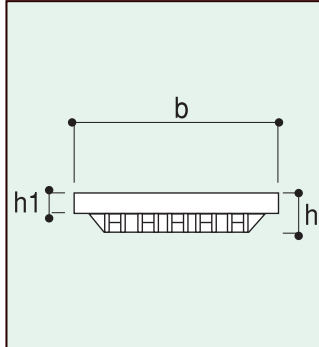
WEIGHT	DIM.	PACK	EURO	REF.
2,8 KG	300 x 300	2		<b>00793</b>
4,7 KG	400 x 400	2		<b>00796</b>



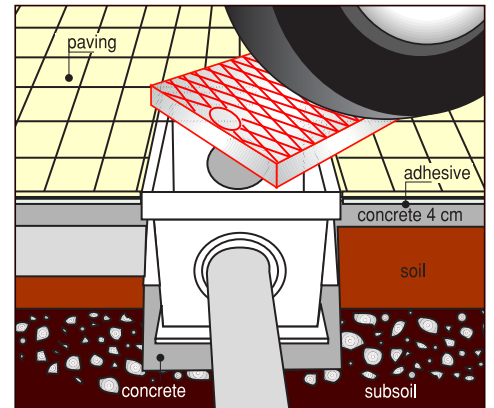
Sand colour available on request.

### TECHNICAL SPECIFICATIONS

hl	b	h	ref.
22	283	67	<b>00793</b>
25	382	62	<b>00796</b>



**CERTIFIED  
RESISTANCE:  
MINIMUM 12,5 TONS**



APPLICATION

In accordance with regulation EN 124 - **TESTED BY**



## cover B125 with frame

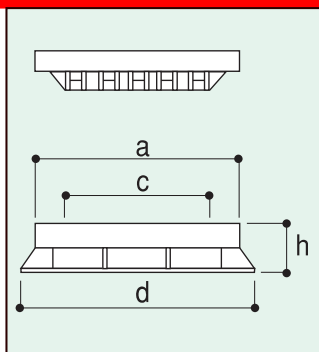
WEIGHT	DIM.	PACK	EURO	REF.
3,6 KG	300 x 300	3		<b>00803</b>
5,9 KG	400 x 400	2		<b>00805</b>



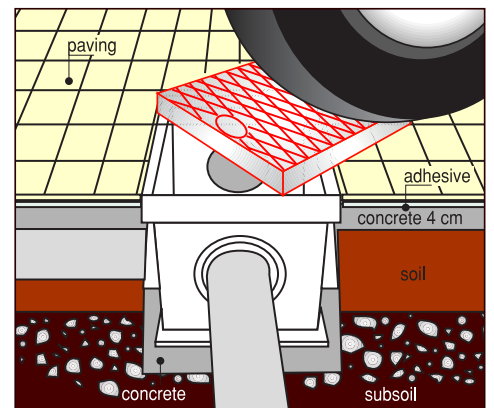
Sand colour available on request.

### TECHNICAL SPECIFICATIONS

a	c	h	d	ref.
284	250	42	328	<b>00803</b>
383	350	45	428	<b>00805</b>



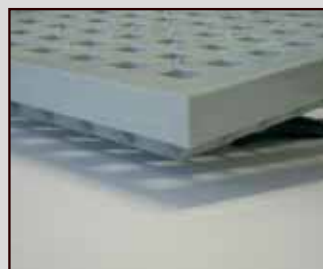
**CERTIFIED  
RESISTANCE:  
MINIMUM 12,5 TONS**



APPLICATION



LIGHT TRAFFIC  
MATERIAL PVC - GREY 7035



ANTI-SLIP SURFACE



RESISTANT TO ACIDS



MANAGEABLE & PRACTICAL

# COVERS AND GRILLS

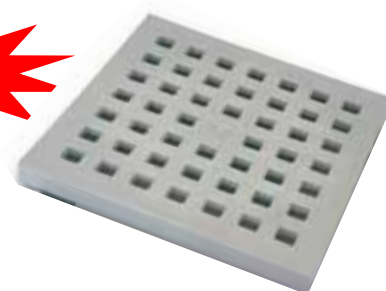


In accordance with regulation EN 124 - **TESTED BY**



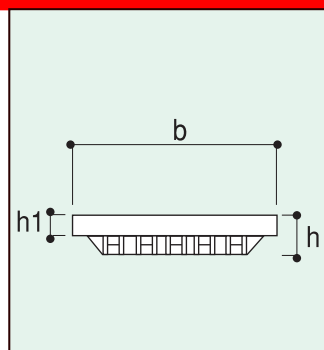
grill B125

NOTES	WEIGHT	DIM.	PACK	EURO	REF.
1,4 L/S	2,6 KG	300 x 300	2		<b>00783</b>
2,9 L/S	4,4 KG	400 x 400	2		<b>00786</b>



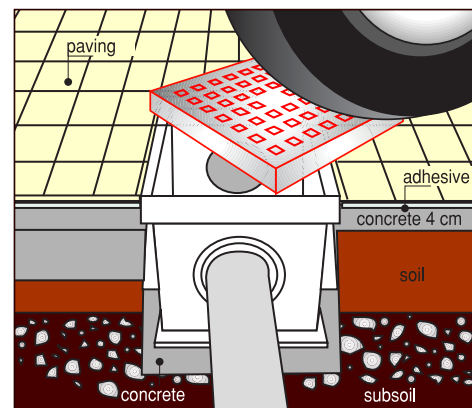
Sand colour available on request.

## TECHNICAL SPECIFICATIONS



hl	b	h	ref.
22	284	67	<b>00783</b>
25	383	62	<b>00786</b>

**CERTIFIED RESISTANCE: MINIMUM 12,5 TONS**



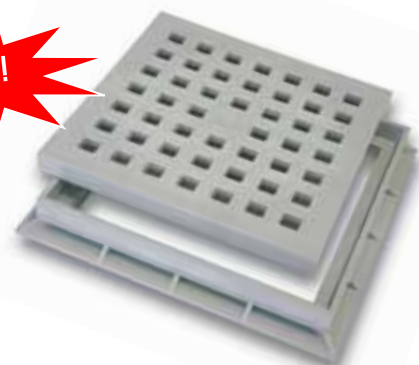
APPLICATION

In accordance with regulation EN 124 - **TESTED BY**



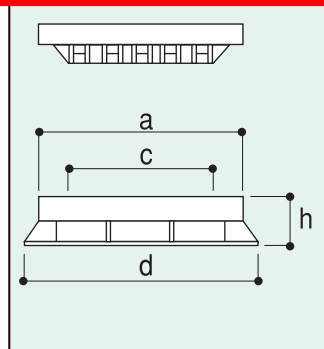
grill B125 with frame

NOTES	WEIGHT	DIM.	PACK	EURO	REF.
1,4 L/S	3,4 KG	300 x 300	3		<b>00800</b>
2,9 L/S	5,6 KG	400 x 400	2		<b>00802</b>



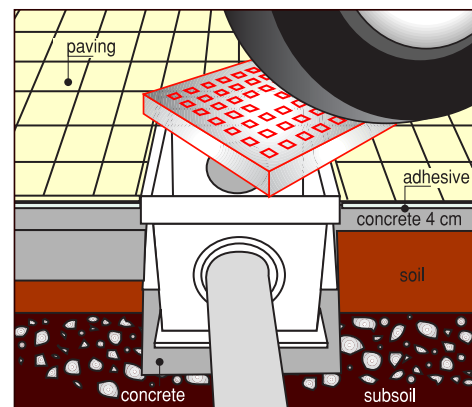
Sand colour available on request.

## TECHNICAL SPECIFICATIONS



a	c	h	d	ref.
284	250	42	328	<b>00800</b>
383	350	45	428	<b>00802</b>

**CERTIFIED RESISTANCE: MINIMUM 12,5 TONS**



APPLICATION

MATERIAL PVC - GREY RAL 7035

## TESTS



## APPLICATIONS

